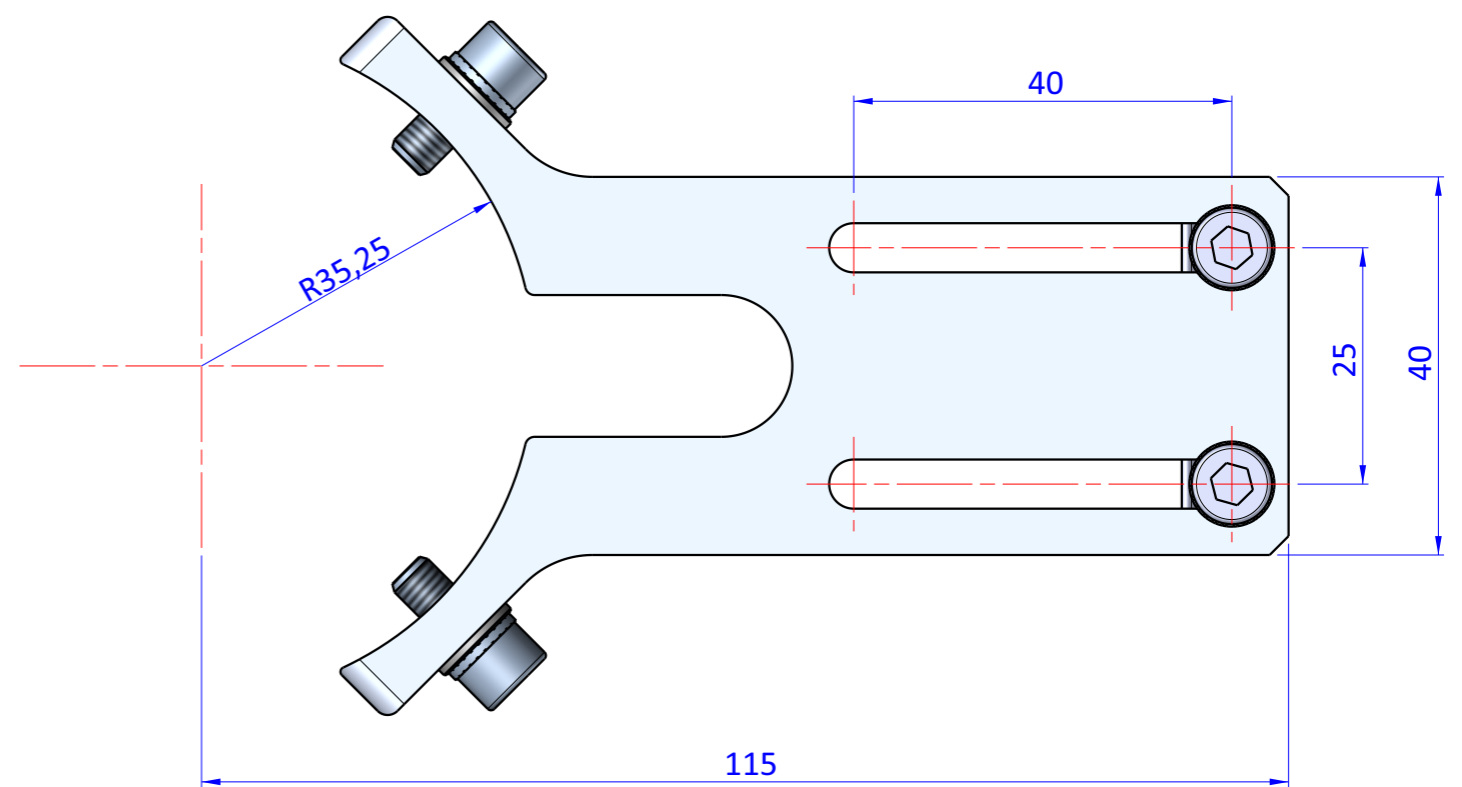
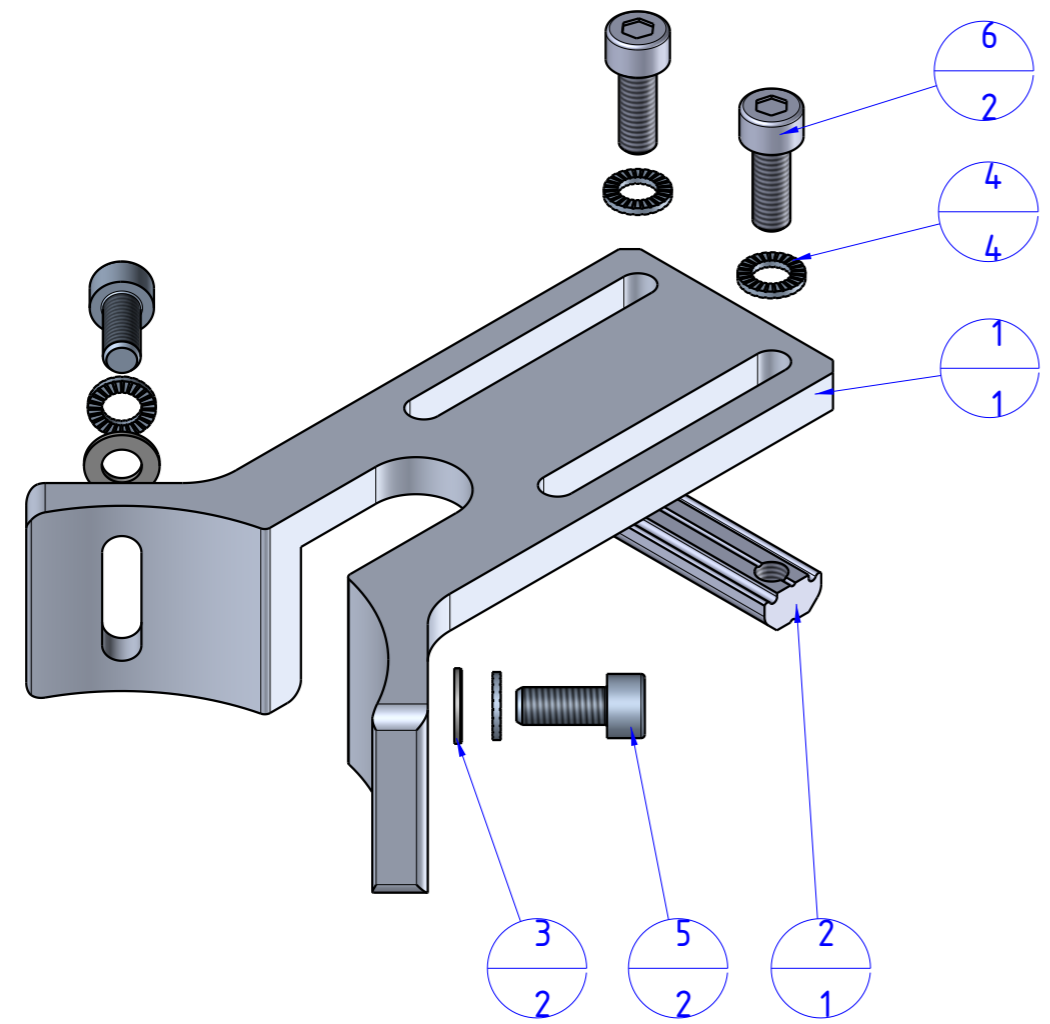
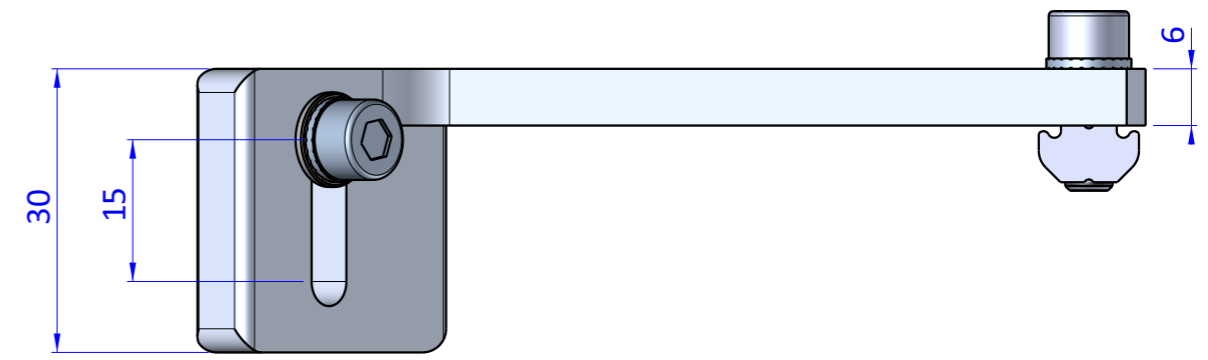



THE PROPERTY OF THE DRAWING IS ESTABLISHED BY LAW. IT IS FORBIDDEN TO PRODUCE OR SHOW IT TO THIRD PART, WITHOUT A WRITTEN AGREEMENT.

| Item | Name | Q.ty |
|------|------------|------|
| 1 | 09.17.1535 | 1 |
| 2 | GWP.5.25 | 1 |
| 3 | R.5 | 2 |
| 4 | R.5.SCH | 4 |
| 5 | V.TCE5x12 | 2 |
| 6 | V.TCE5x14 | 2 |



Format A3
UNI 936-76

| | | | | |
|--|--|-----------------|--|-----------------|
|  FPS FPSERVICES AUTOMATION | | DESIGNED FROM | | REVIEW |
| | | FPS Automation | | A |
| GENERAL TOLERANCE | | DATE | | WEIGHT |
| UNI - ISO 2768 | | 16/03/2020 | | 0,102kg |
| CLASSE f | | CODE | | |
| | | CA.09.17.1535.X | | CA.09.17.1535.X |